



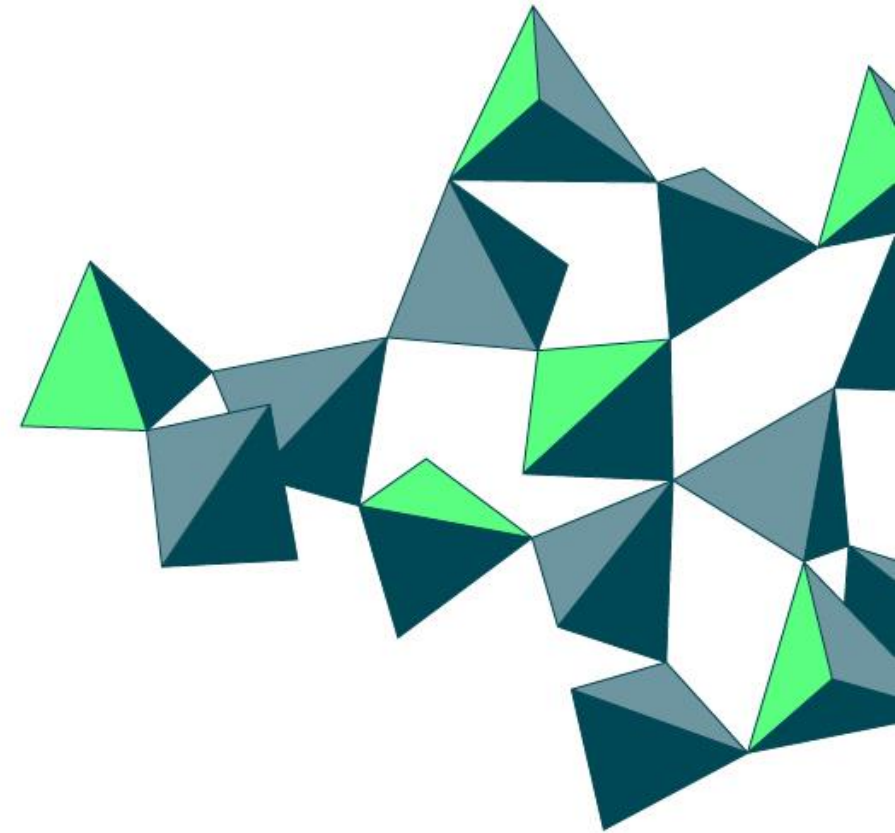
3D Printing With Silicones

Business Service Standards

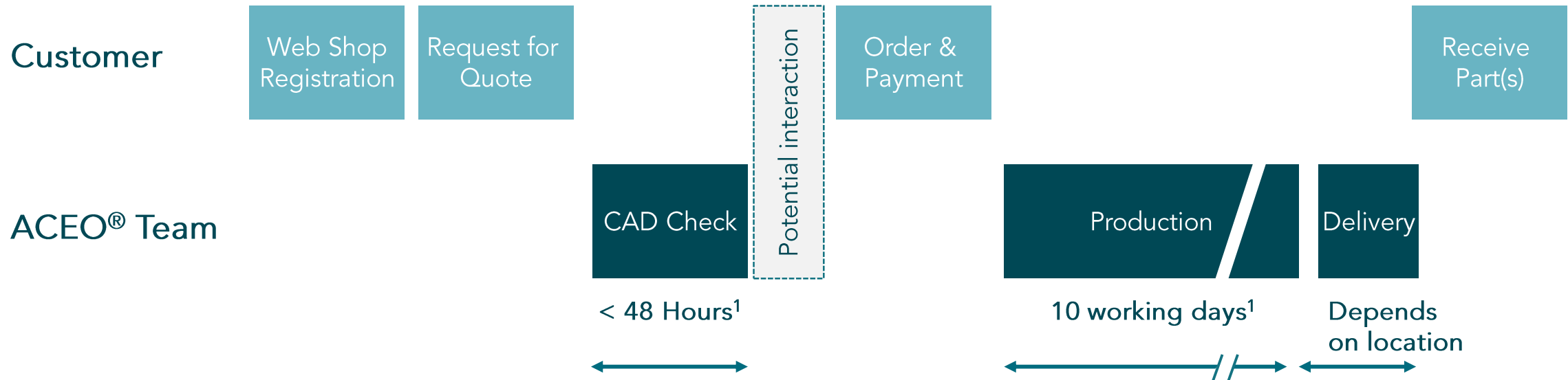
Version: March 2020



ACEO® is a registered trademark
of Wacker Chemie AG.



ACEO® Web Shop Order Process

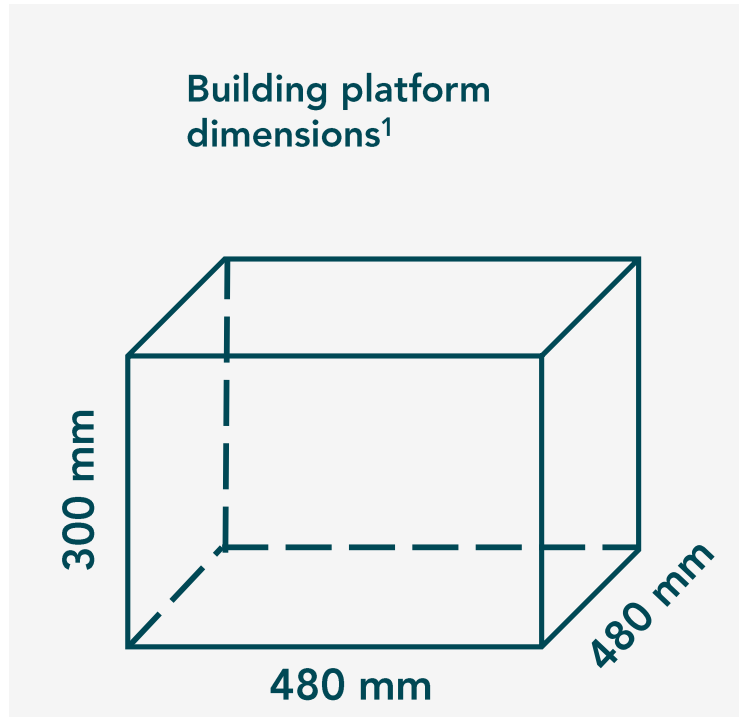


Overall process can be as short as two weeks.

Note: these leads times are an indication and valid for standard web shop orders only.

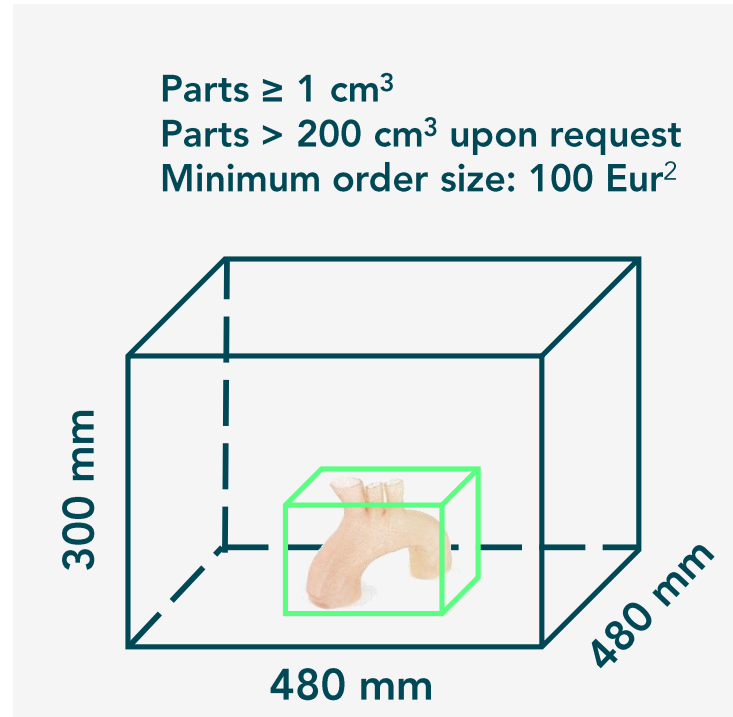
ACEO[®] Design Guidelines – Key Recommendations

Building Platform



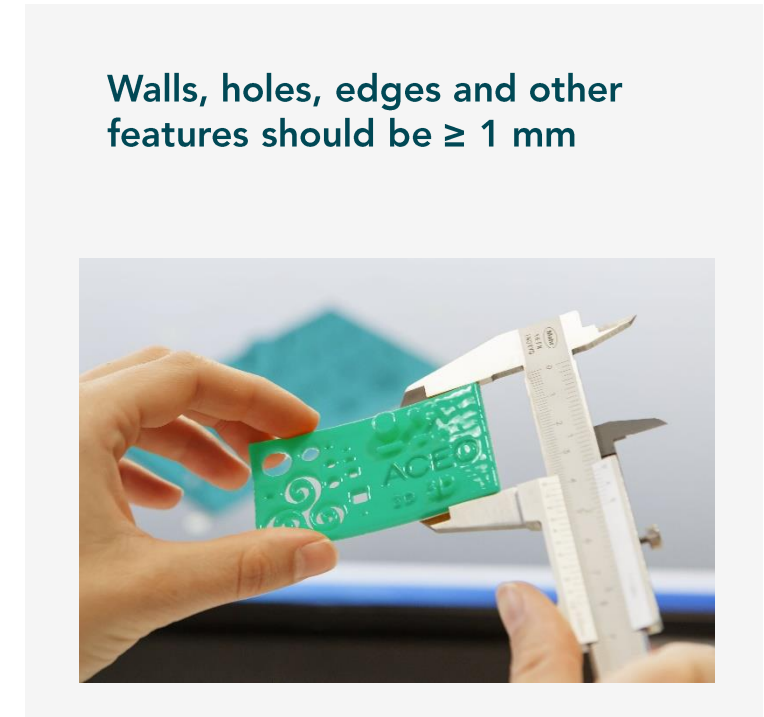
¹ Maximum theoretically possible dimensions, large parts need to be evaluated on a case-by-case basis

Build Box ~200 cm³



² Minimum order size per material i.e. Shore A / Color combination. For parts $< 1 \text{ cm}^3$ the minimum order size is 300 Eur.

Wall thicknesses $\geq 1 \text{ mm}$



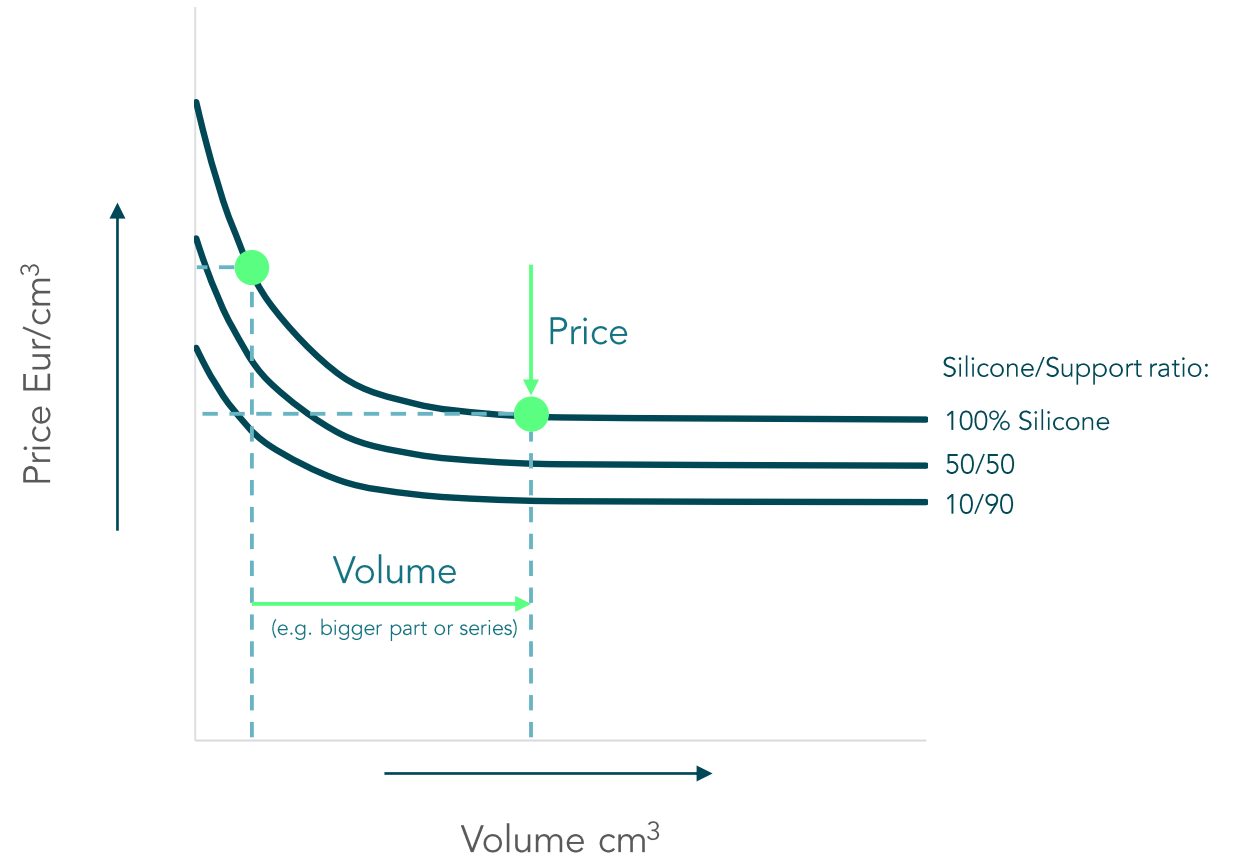
The ACEO[®] Price Model

- ▶ Mainly volume dependent, covers print services and materials
- ▶ Support material is part of the volume
- ▶ Material¹ volumes within one order are combined to achieve the lowest price
- ▶ Multi-material and electrically conductive parts are somewhat more expensive²
- ▶ “Flex rebate” applies when ACEO[®] can pick the color³

¹ Shore A hardness / color combinations

² Compensation for higher material cost and longer setup time

³ Ranges between ca. 10% for small parts to ca. 3% for larger parts



Thank You.

WACKER Chemie AG
ACEO® Campus
Gewerbepark Lindach A 12
D-84489 Burghausen

T +49 8677 83-2333
F +49 8677 886-2333
info@aceo3d.com
aceo3d.com



ACEO® is a registered trademark
of Wacker Chemie AG.